

# ROLBOX

LABELLING AND BANDEROLLING MACHINE FOR ROUND BOXES

100 boxes / min

 Made in FRANCE



«ROLBOX, high performance and reliable labelling-banderolling machine, designed for round cheese boxes»



- ROLBOX machine is dedicated to the labelling and the banderolling of round processed cheese boxes.
- ROLBOX capacity up to 100 boxes / min, with adjustable height from 15 to 70 mm.
- ROLBOX has the followings characteristics :
  - Compact machine
  - Reduced adjustment time for a new box size settings
  - Simplified maintenance operations
  - Labelling unit as an option
  - Cold glue, opening string, paper banderol

## TECHNICAL SPECIFICATIONS

Dimensions of boxes	Ø 111mm - adjustable height from 15 to 70 mm (from 1 to 4 layers of triangles)
Weight	1,3 tons
Power consumption	electricity : 3 kWh
	compressed air : 6 m <sup>3</sup> h at 6 bars



**GMA**   
PACKAGING & MACHINERY

Rue Roger Thirode - 39800 POLIGNY - France  
Tél.: +33 (0)3 84 37 24 12 - Fax: +33 (0)3 84 37 05 57 - gma@gma-france.com

[www.gma-france.com](http://www.gma-france.com)



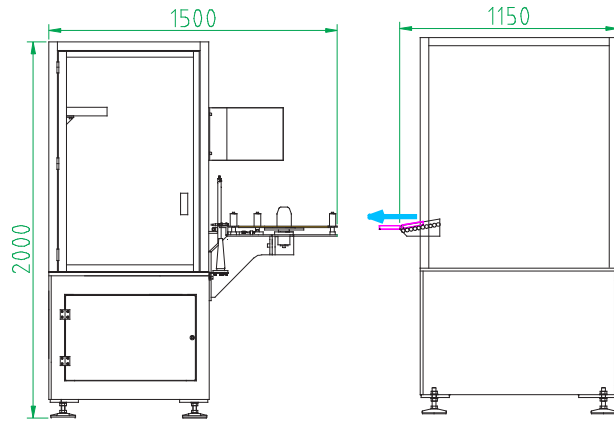
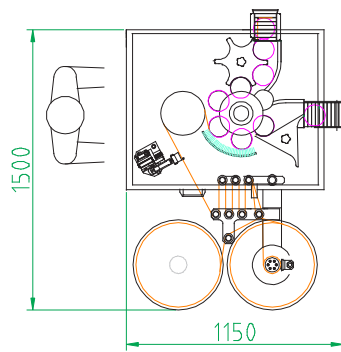
# ROLBOX

LABELLING AND BANDEROLLING MACHINE FOR ROUND BOXES

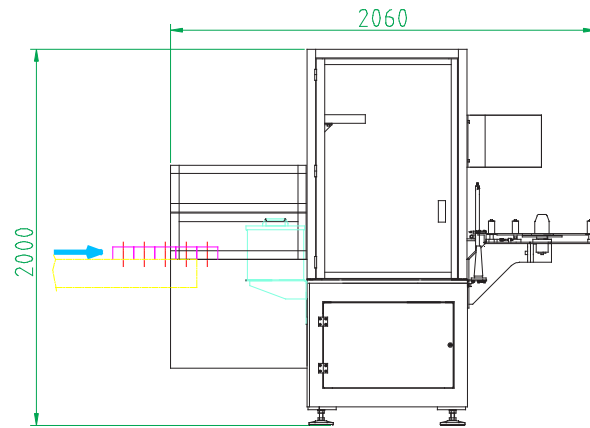
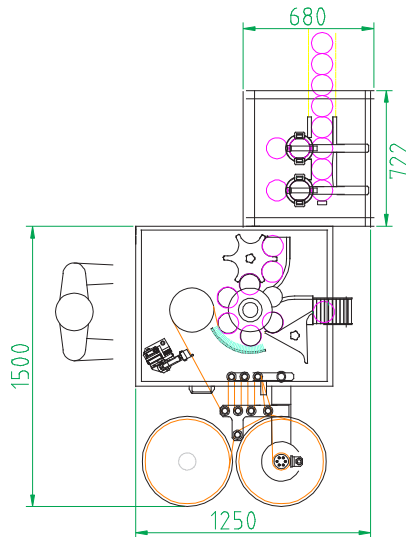
100 boxes / min

 Made in FRANCE

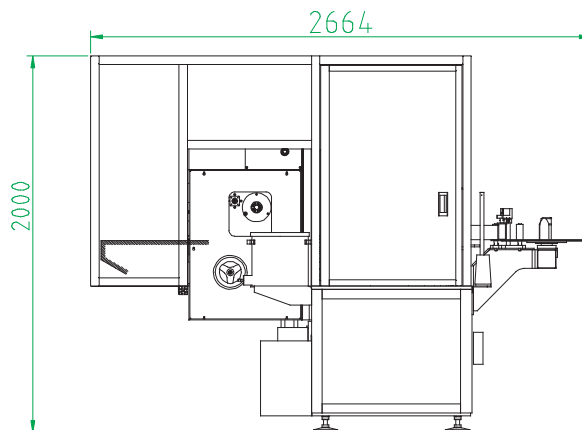
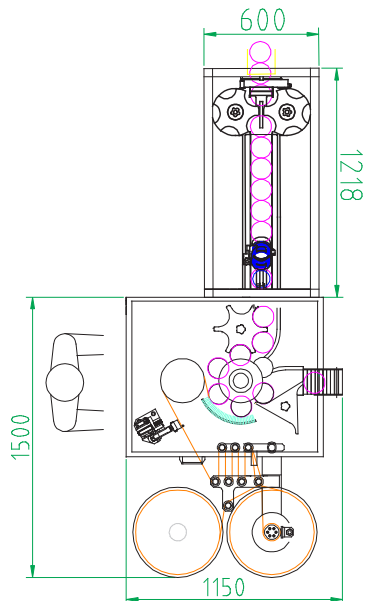
ROLBOX



ROLBOX + CONFORMING STATION



ROLBOX + LABELLING STATION



*Indicative and non contractual layout.*