

SATURN

THERMOFORMING PRESS

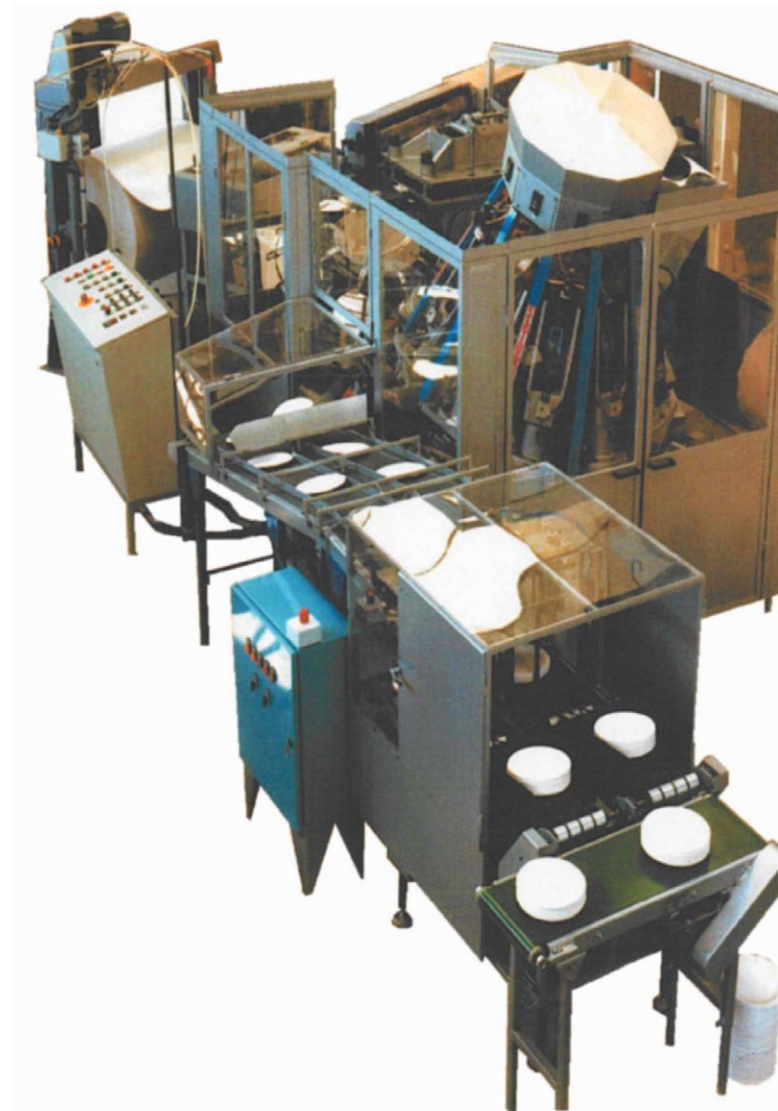
up to 280 paper plates /min

 Made in FRANCE



« Production line SATURN, high speed production of paper plates from reels »

- SATURN is dedicated to the production of paper plates.
- SATURN works from white or printed paper reels integrating functions of unwinding, scoring, punching, forming, stacking, counting and piling up.
- SATURN machine delivers piles of plates in preselected quantities, speed up to 280 plates / min.
- The design of the SATURN makes easy its use and its maintenance.



TECHNICAL SPECIFICATIONS

Reel width	up to 1200 mm
Maximum diameter of the reel	1600 mm
Speed	up to 280 plates / min
Weight	7 tons
Maximum depth of the item	20 mm
Power consumption	electricity : 35 kWh
	compressed air : 10 m ³ /h



Rue Roger Thirode - 39800 POLIGNY - France
Tél. : +33 (0)3 84 37 24 12 - Fax : +33 (0)3 84 37 05 57 - gma@gma-france.com

www.gma-france.com

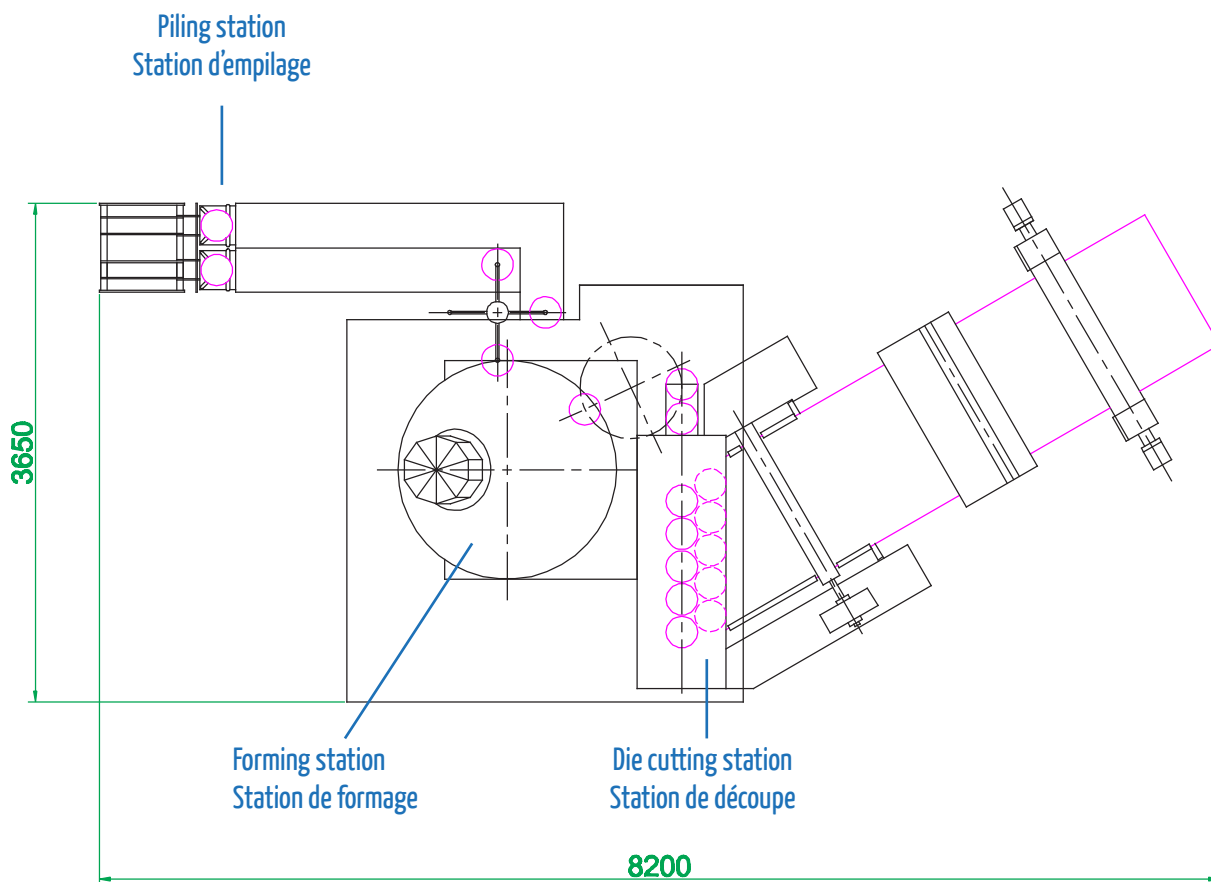
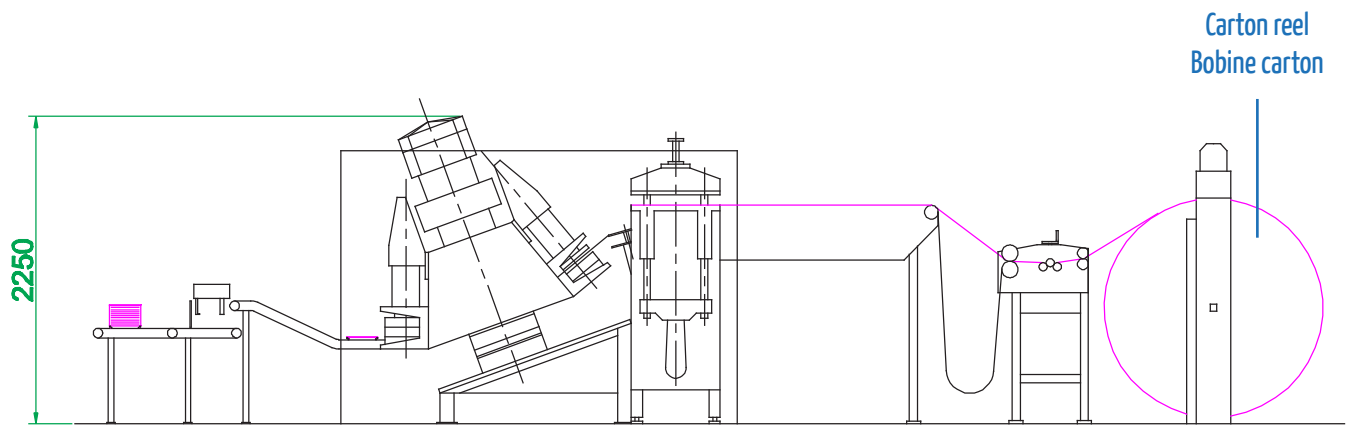


SATURN

THERMOFORMING PRESS

up to 280 paper plates /min

 Made in FRANCE



Indicative and non contractual layout.