

# STRATBOX

## SEMI-AUTOMATIC CARTONING MACHINE

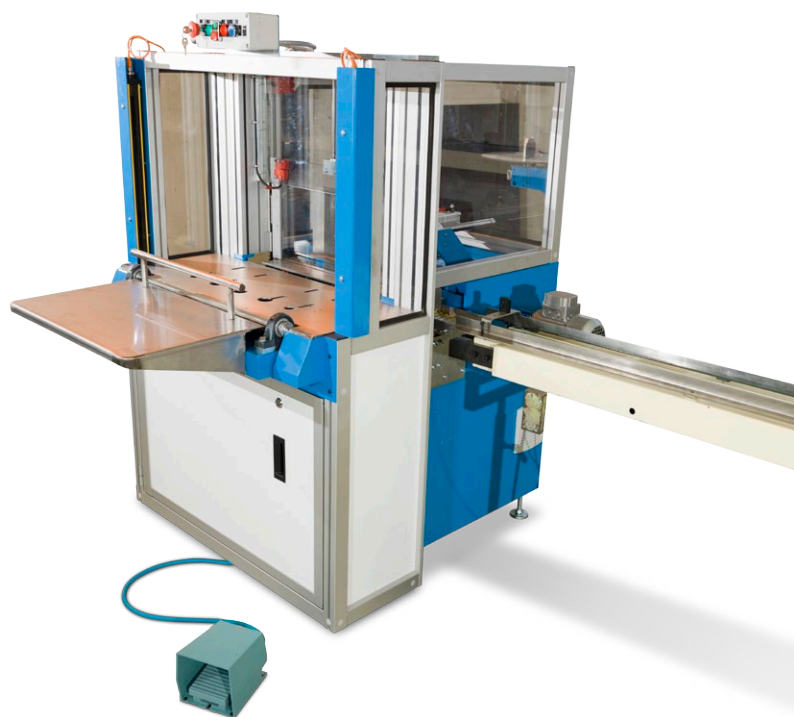
100 boxes / min

 Made in FRANCE



« STRATBOX, for a quick and easy cartonning of round processed cheese boxes »

- STRATBOX machine is dedicated to semi-automatic cartonning of round processed cheese boxes.
- STRATBOX can be connected to ROLBOX labelling and banderolling machine.
- STRATBOX capacity depends on box piling configuration, and can vary from 90 to 120 boxes/min.
- Cartonning process :
  - Piling configuration is selected
  - Boxes are piled up at the extremity of infeed conveyor according to piling configuration
  - Once complete batch is piled on rotating plate, operator can cover boxes with open corrugated case
  - Rotation of the plate transfers boxes into corrugated case
  - Case is set manually to adhesive tape case sealer



TECHNICAL SPECIFICATIONS	STRATBOX 4x2	STRATBOX 5x3
Base piling configuration	3x2 or 4x2	5x3
Maximum piling height	220 mm	220 mm
Weight	400 kgs	450 kgs
Power consumption	electricity : 0,2kWh	
	compressed air : 2,5 m <sup>3</sup> h at 6 bars	



Rue Roger Thirode - 39800 POLIGNY - France  
Tél. : +33 (0)3 84 37 24 12 - Fax : +33 (0)3 84 37 05 57 - gma@gma-france.com

[www.gma-france.com](http://www.gma-france.com)

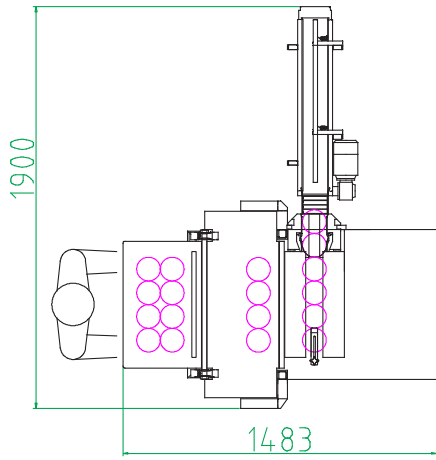


# STRATBOX

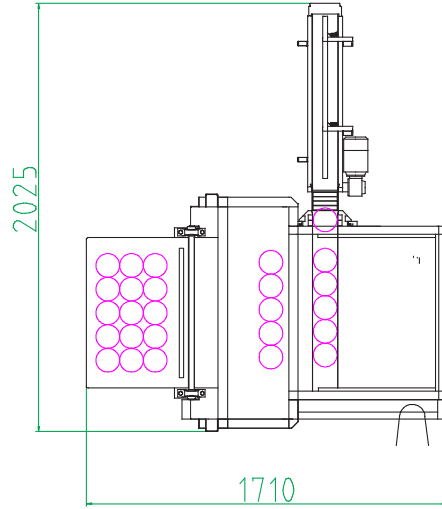
## SEMI-AUTOMATIC CARTONING MACHINE

100 boxes / min

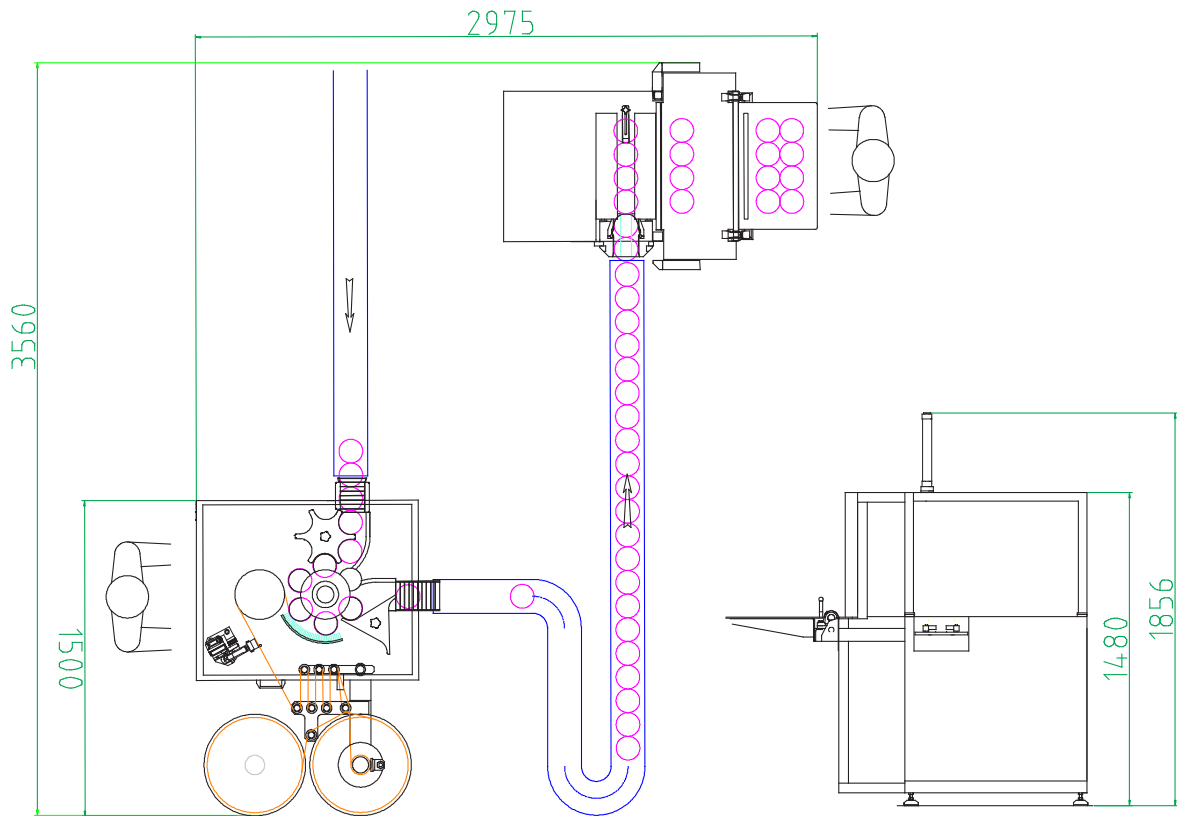
 Made in FRANCE



STRATBOX 4x2



STRATBOX 5x3



Banderolling ROLBOX + Cartoning STRATBOX

STRATBOX

*Indicative and non contractual layout.*